

1 2 3 4 5 6 7 8

A

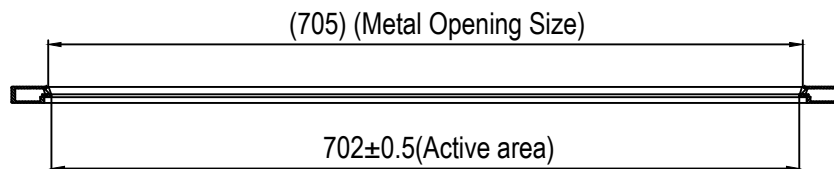
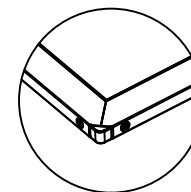
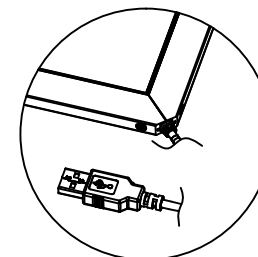
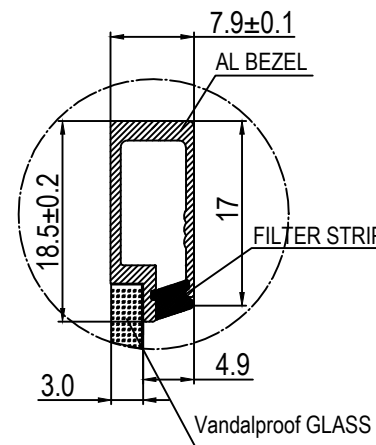
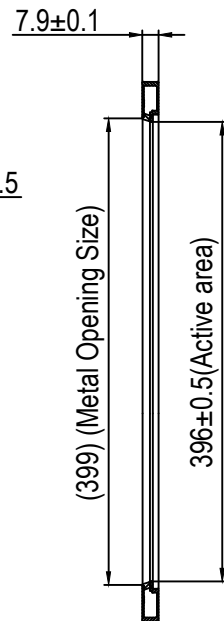
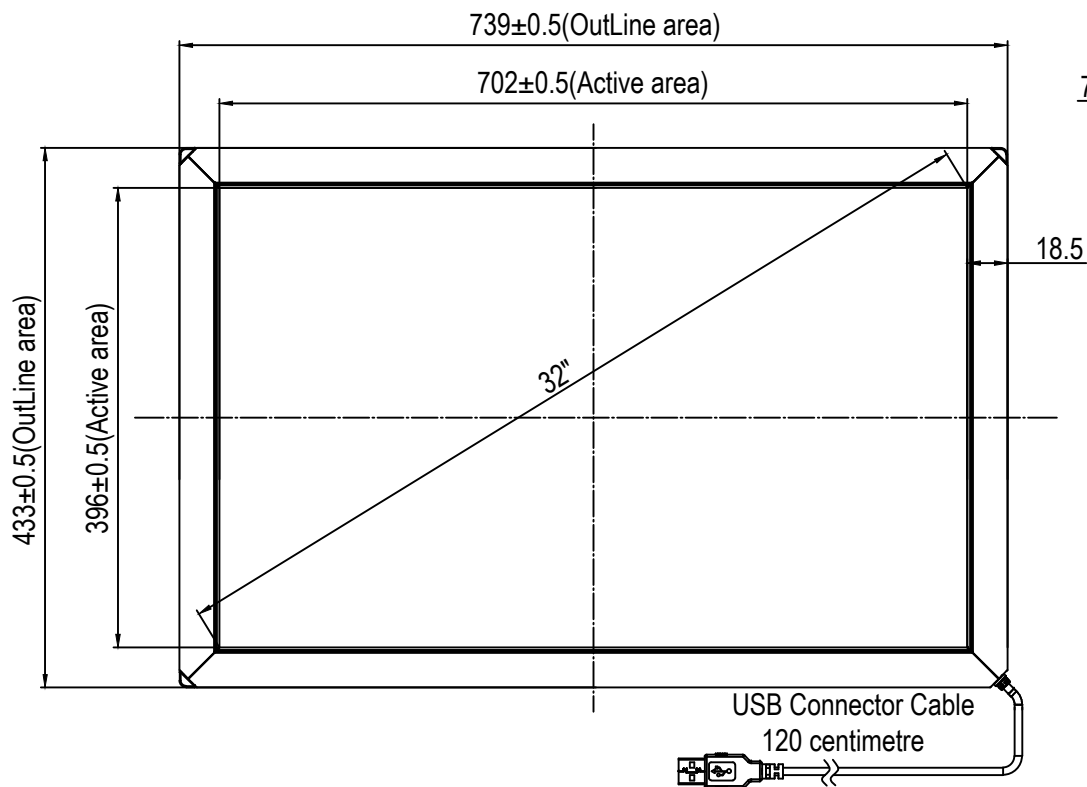
B

C

D

E

F



NOTE:

1. ALL SURFACES OF BEZEL ARE SPRAY BLACK PAINTING .
2. UNLESS SPECIFIED , THE TOLERANCE IS ACCORDING TO GB1804-F .
3. NO SHARP EDGE, NO SCRATCH, NO CHROMATISM, ETC .
4. MATCHED GAP <0.2MM .

			Nazwa produktu	
			IR3200 Screen Aspect Ratio 16:9	
Material	Weight	Unit	Product No.	
Al+Glass	2.34 kg	mm	IR3200	
Sheet 1 of 1			Rev 1.0	

1 2 3 4 5 6 7 8